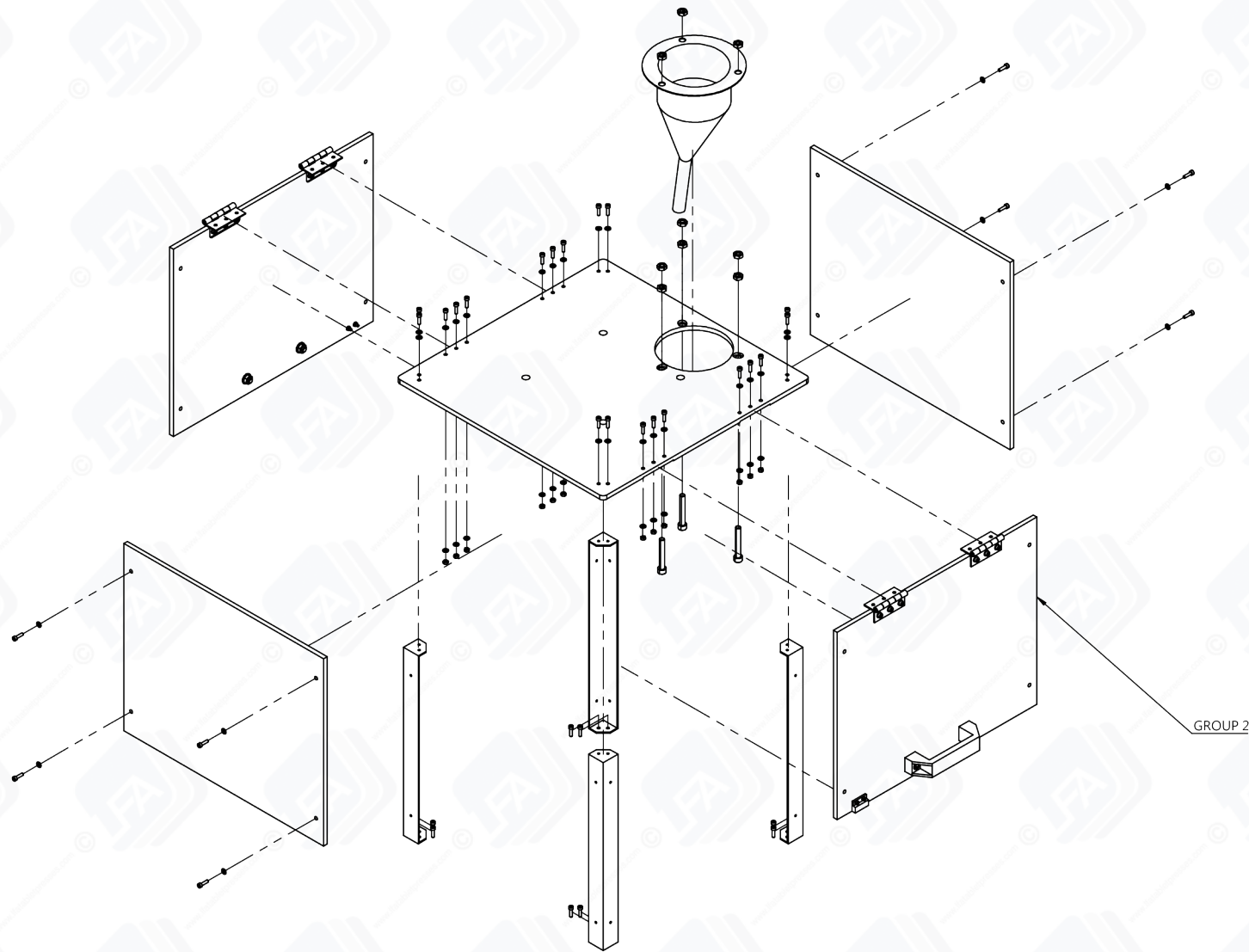

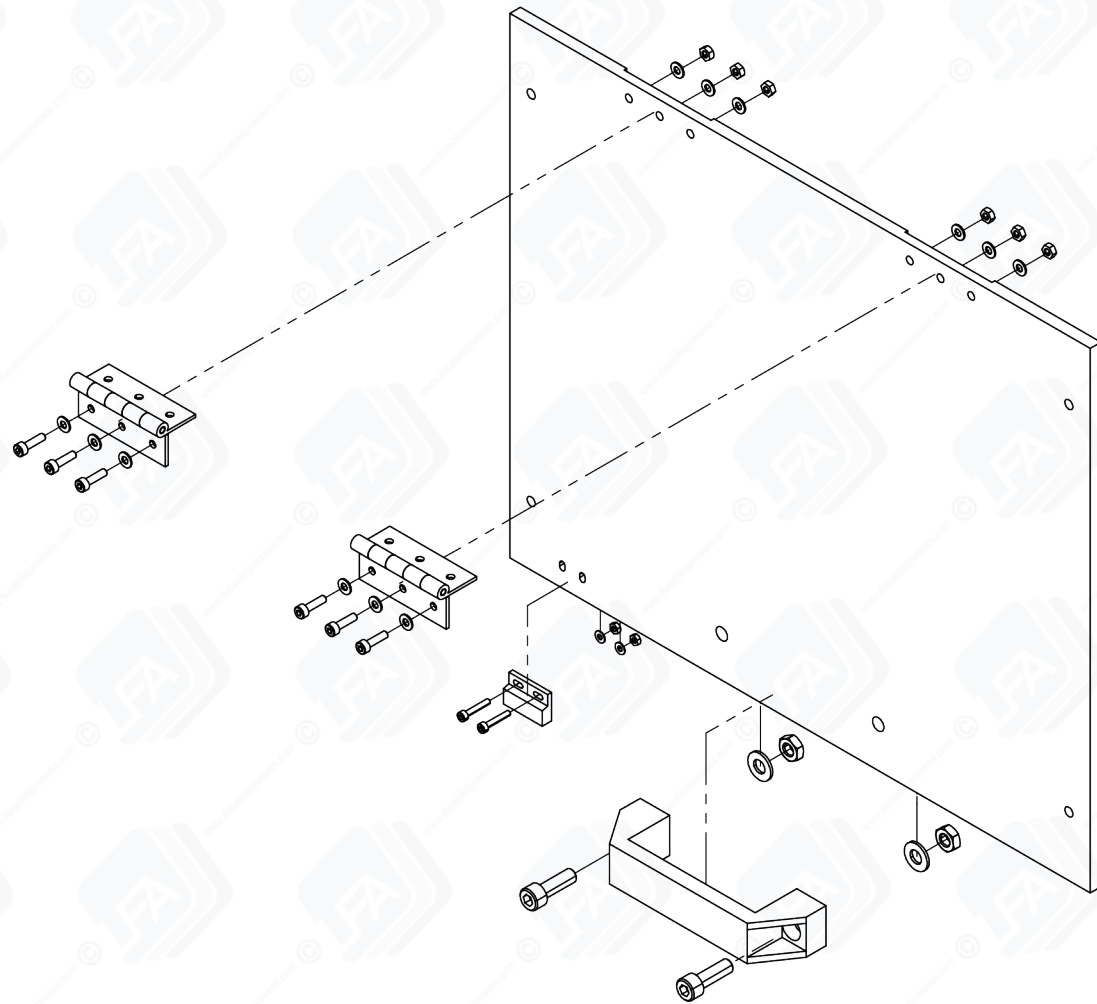
 <a href="http://www.lfamachines.com">www.lfamachines.com</a>	Drawing Name	RTP 118v2 Perpsex Case Exploding Diagram
	Product Name	RTP 118
	Version	1.0
	Provided By	LFA Machines



GROUP 2

# GROUP 1

 <a href="http://www.lfamachines.com">www.lfamachines.com</a>	Drawing Name	RTP 118v2 Perplex Case Exploding Diagram
	Product Name	RTP 118
	Version	1.0
	Provided By	LFA Machines

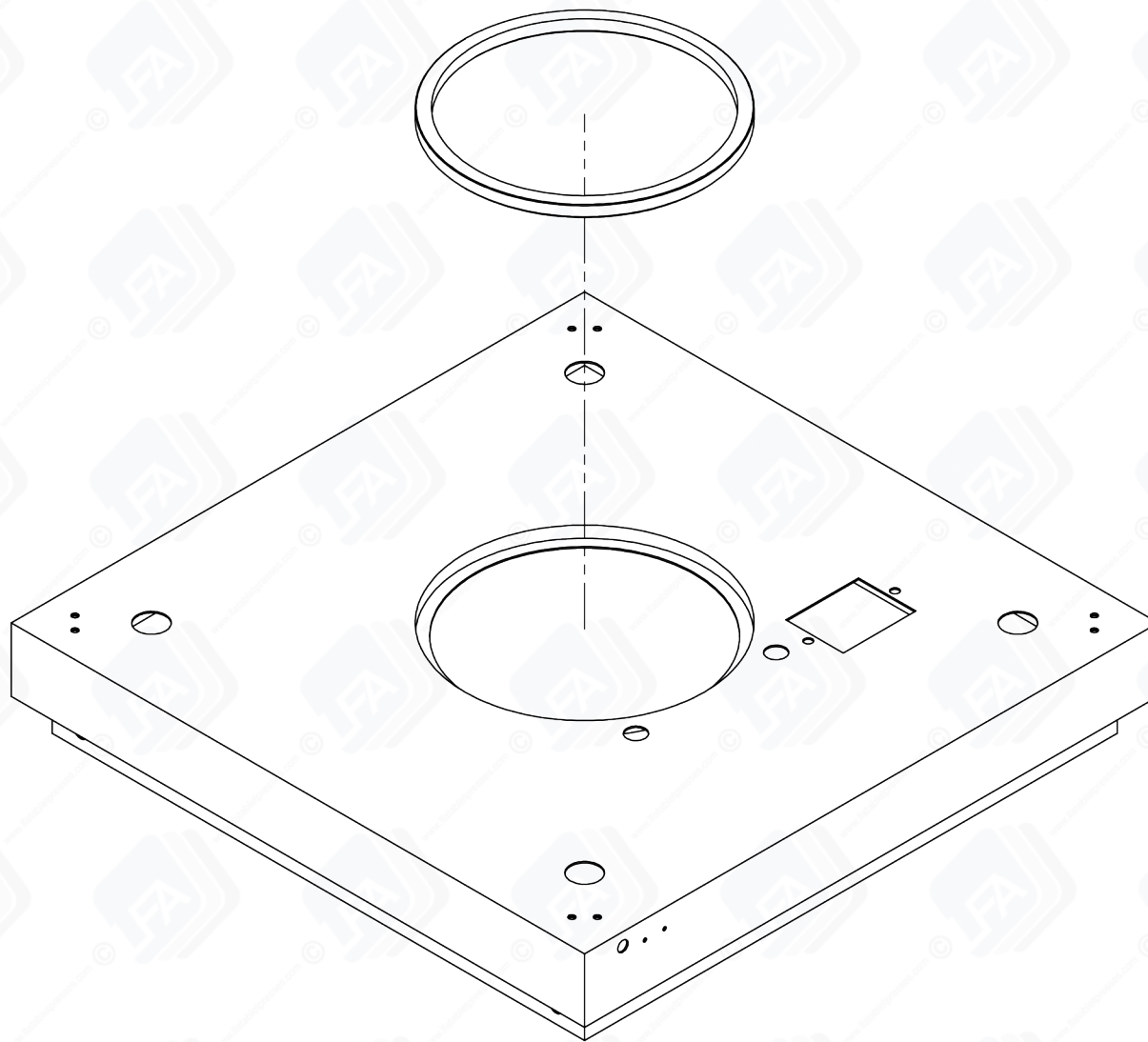


## GROUP 2



www.lfamachines.com

Drawing Name	RTP 118v2 Perpsex Case Exploding Diagram
Product Name	RTP 118
Version	1.0
Provided By	LFA Machines



## GROUP 3



[www.lfamachines.com](http://www.lfamachines.com)

Drawing Name	RTP 118v2 Perpsex Case Exploding Diagram
Product Name	RTP 118
Version	1.0
Provided By	LFA Machines